

////// ZERO-MAX®



Right Angle Crown® Gear Drives



HOW THE **RIGHT ANGLE CROWN® GEAR DRIVES** WORKS

Crown two and three-way right angle gear drives transmit power with quiet, dependable spiral bevel gears.

Crown right angle gear drives feature hardened spiral bevel gears and non-magnetic stainless steel shafts. They are compact and feature multiple mounting options. The fully enclosed design ensures that internal gears can't get out of alignment, jam up or become contaminated by debris.

The cast aluminum housing is designed for maximum strength and heat dissipation. The drives are available with shafts of 3/8, 1/2, 5/8 and 3/4 inch diameter in two and three-way units with both 1:1 and 2:1 ratios. Three-way units in 1:1 and 2:1 ratios are available with 1 inch shafts. A wide variety of shafts are available including squared, splined, extended, shortened and stepped.

Applications include printing and packaging machines, off-highway vehicles and special machinery of all types.



Features

Benefits

Double sealed bearings.....	Holds lubrication in, keeps dirt out
Precision hardened and ground ball bearings.....	Smooth, quiet, long operating life
Non-magnetic stainless steel shafts.....	Corrosion resistant. Minimal maintenance
Aluminum alloy housing.....	Light weight, high strength and heat dissipation
Many standard types and sizes, plus special shafts.....	Get the exact model that fits your application needs
Multiple mounting positions.....	Simplifies design considerations
Proven design.....	Proven in thousands of applications for over 40 years

HOW TO SELECT A **RIGHT ANGLE CROWN® GEAR DRIVE**

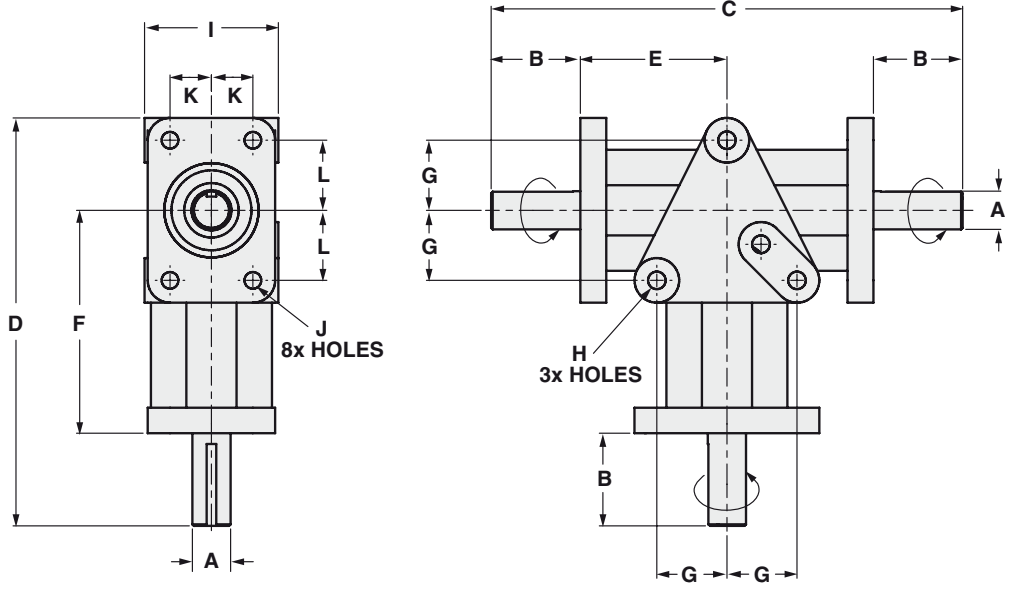
- Determine Your Preferred Input/Output Ratio.** Standard ratios are 1:1 and 2:1. It is also possible to use a step up ratio of 1:2 by using shaft #2 as the input shaft. (See drawings on pages 96-98).
- Designate Which Shafts Are To Be Input And Output Shafts.** This step is especially important to determine that no shaft will turn faster than 2000 RPM. If shaft #2 in the 2:1 ratio models is selected as the input shaft, it can turn at a maximum of 1000 RPM. In the 1:1 ratio models it makes no difference. However, the choice in either case will affect your mounting.
- Be Certain That The Designated Output Shaft Has A Torque Capacity Greater Than Your Applications Load.** Consult the tables on the pages 99-101, and be sure to apply the service factors from the chart below.
- Choose Drive Type.** Use either 2-way or 3-way configuration.
- Select The Correct Model Number.** On pages 96-98 ,select the correct model number; note that units with 3/8 inch shafts have flats and units with 1/2, 5/8, 3/4 and 1 inch shafts have standard keyways. Also note that 1 inch shaft models are available in 3-way type only.
- If modifications of shafts and/or housings are required for your application,** send a drawing and a description of the application to the factory.

The Service Factors listed below will cover most usual applications. Applications dealing with single and multi-cylinder internal combustion engines, extreme repetitive shock loads and high energy loads are not covered. For additional information, please contact the factory.

Determine Prime Mover	Determine Duration of Service	Driven Machine Load Classifications		
		Uni-form	Mod. Shock	Heavy Shock
Electric Motor, Steam Turbine or Hydraulic Motor	Occasional 1/2 hr. /day	0.50	0.80	1.25
	Intermittent 3 hrs/day	0.80	1.00	1.50
	Over 3 hrs. up to 10 hrs/day	1.00	1.25	1.75
	Over 10 hrs/day	1.25	1.50	2.00



THREE-WAY CROWN GEAR DRIVES



Dimensions

1:1 Ratio

Three-Way Crown Gear Drives Only
To obtain opposite shaft rotation for shafts 2 & 3 as shown, install (invert) Crown Drive with grease plug down.

Model	A	B	C	D	E	F	G	G.	H	I	J	K	L
C139801	0.375	0.63	4.06	3.66	1.41	2.19	0.66	0.66	0.221 dia.	1.50	0.166 dia.	0.50	0.66
C157806	0.500	1.00	5.75	4.94	1.88	2.88	0.88	0.88	0.281 dia.	1.75	0.265 dia.	0.56	0.81
C109806	0.625	1.50	7.00	6.19	2.00	3.25	1.13	1.13	0.281 dia.	2.13	0.265 dia.	0.69	1.13
C209806	0.750	1.75	9.25	7.94	2.88	4.38	1.38	1.38	0.344 dia.	2.63	0.328 dia.	0.81	1.38
C803806	1.000	2.75	12.00	11.00	3.25	6.00	1.75	2.75	0.406 dia.	4.00	3/8-16**	1.50	1.50

2:1 Ratio

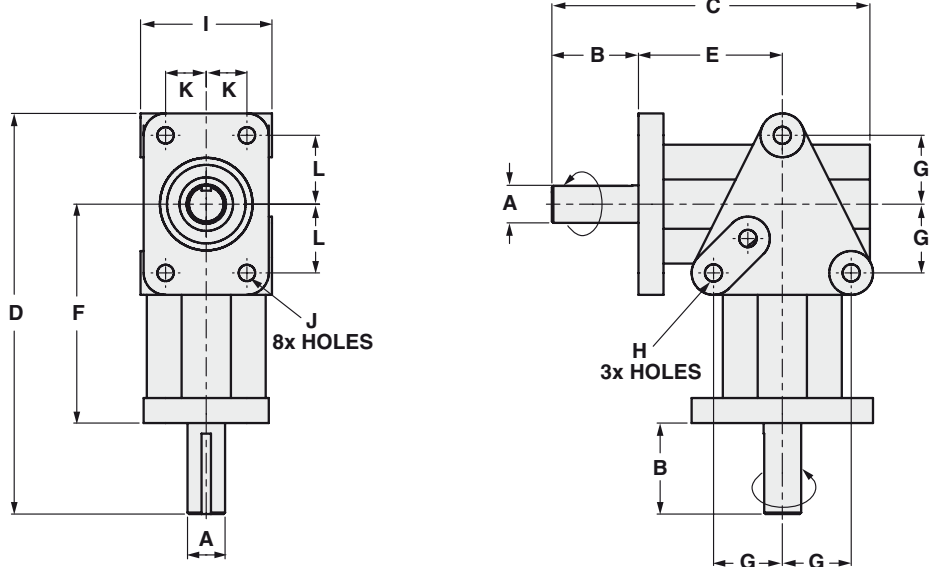
Model	A	B	C	D	E	F	G	G.	H	I	J	K	L
C135801	0.375	0.63	4.06	3.66	1.41	2.19	0.66	0.66	0.221 dia.	1.50	0.166 dia.	0.50	0.66
C155806	0.500	1.00	5.75	4.94	1.88	2.88	0.88	0.88	0.281 dia.	1.75	0.265 dia.	0.56	0.81
C105806	0.625	1.50	7.00	6.19	2.00	3.25	1.13	1.13	0.281 dia.	2.13	0.265 dia.	0.69	1.13
C205806	0.750	1.75	9.25	7.94	2.88	4.38	1.38	1.38	0.344 dia.	2.63	0.328 dia.	0.81	1.38
C805806	1.000	2.75	12.00	11.00	3.25	6.00	1.75	2.75	0.406 dia.	4.00	3/8-16**	1.50	1.50

**Tapped hole, .81" deep.

Keyway Dimensions

Units with 3/8 inch dia. shafts 1/32 Flat x 1/2 long	Units with 3/4 inch dia. shafts 3/16 x 3/32 x 1-1/2
Units with 1/2 inch dia. shafts 1/8 x 1/16 x 7/8	Units with 1 inch dia. shafts 1/4 x 1/8 x 2
Units with 5/8 inch dia. shafts 3/16 x 3/32 x 1-3/8	

TWO-WAY CROWN GEAR DRIVES



Dimensions

1:1 Ratio

Model	A	B	C	D	E	F	G	H	I	J	K	L
C138801	0.375	0.63	3.16	3.66	1.41	2.19	0.66	0.221 dia.	1.50	0.166 dia.	0.50	0.66
C156806	0.500	1.00	4.38	4.94	1.88	2.88	0.88	0.281 dia.	1.75	0.265 dia.	0.56	0.81
C108806	0.625	1.50	4.88	6.19	2.00	3.25	1.13	0.281 dia.	2.13	0.265 dia.	0.69	1.13
C208806	0.750	1.75	6.38	7.94	2.88	4.38	1.38	0.344 dia.	2.63	0.328 dia.	0.81	1.38

2:1 Ratio

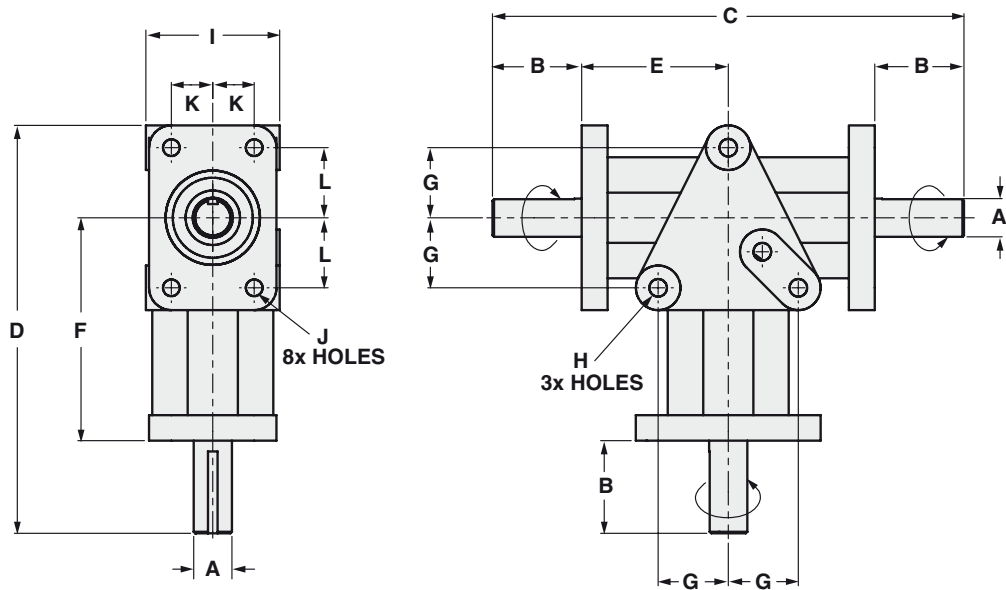
Model	A	B	C	D	E	F	G	H	I	J	K	L
C134801	0.375	0.63	3.16	3.66	1.41	2.19	0.66	0.221 dia.	1.50	0.166 dia.	0.50	0.66
C154806	0.500	1.00	4.38	4.94	1.88	2.88	0.88	0.281 dia.	1.75	0.265 dia.	0.56	0.81
C104806	0.625	1.50	4.88	6.19	2.00	3.25	1.13	0.281 dia.	2.13	0.265 dia.	0.69	1.13
C204806	0.750	1.75	6.38	7.94	2.88	4.38	1.38	0.344 dia.	2.63	0.328 dia.	0.81	1.38

Keyway Dimensions

Units with 3/8 inch dia. shafts1/32 Flat x 1/2 long	Units with 3/4 inch dia. shafts3/16 x 3/32 x 1-1/2
Units with 1/2 inch dia. shafts 1/8 x 1/16 x 7/8	Units with 1 inch dia. shafts 1/4 x 1/8 x 2
Units with 5/8 inch dia. shafts3/16 x 3/32 x 1-3/8	

The right to make engineering refinements on all products is reserved. Dimensions and other details subject to change. When dimensions are critical, detailed drawings should be obtained from the factory. Dimensions are in inches.

COUNTER-ROTATING **CROWN** GEAR DRIVES



Dimensions

1:1 Ratio

Model	A	B	C	D	E	F	G	H	I	J	K	L
C130801	0.375	0.63	4.06	3.66	1.41	2.19	0.66	0.221 dia.	1.50	0.166 dia.	0.50	0.66
C150806	0.500	1.00	5.75	4.94	1.88	2.88	0.88	0.281 dia.	1.75	0.265 dia.	0.56	0.81
C100806	0.625	1.50	7.00	6.19	2.00	3.25	1.13	0.281 dia.	2.13	0.265 dia.	0.69	1.13

2:1 Ratio

Model	A	B	C	D	E	F	G	H	I	J	K	L
C151806	0.500	1.00	5.75	4.94	1.88	2.88	0.88	0.281 dia.	1.75	0.265 dia.	0.56	0.81
C101806	0.625	1.50	7.00	6.19	2.00	3.25	1.13	0.281 dia.	2.13	0.265 dia.	0.69	1.13

NOTE: The suffix 806 designates units having Standard KEYWAYS.



New Zero-Max Configurable
3D CAD Downloads.
www.zero-max.com

CROWN RATED HORSEPOWER & TORQUE SPECIFICATIONS



3 Way

C139801 3 way : 1 to 1 : 3/8" shaft			C130801 (Counter Rotating) 3 way : 1 to 1 : 3/8" shaft			C157806 3 way : 1 to 1 : 1/2" shaft			C150806 (Counter Rotating) 3 way : 1 to 1 : 1/2" shaft		
Angular velocity	Rated Power	Rated Torque	Angular velocity	Rated Power	Rated Torque*	Angular velocity	Rated Power	Rated Torque	Angular velocity	Rated Power	Rated Torque*
RPM	H.P.	In. Lbs.	RPM	H.P.	In. Lbs.	RPM	H.P.	In. Lbs.	RPM	H.P.	In. Lbs.
100	0.04	25	100	0.05	32	100	0.07	46	100	0.08	50
200	0.08	25	200	0.10	32	200	0.14	46	200	0.16	50
300	0.12	25	300	0.14	29	300	0.22	46	300	0.25	50
400	0.16	25	400	0.18	28	400	0.29	46	400	0.33	50
500	0.20	25	500	0.22	28	500	0.36	45	500	0.41	50
1000	0.38	24	1000	0.42	26	1000	0.71	45	1000	0.75	47
2000	0.67	21	2000	0.75	24	2000	1.27	40	2000	1.37	43

Ultimate static torque 160 in. lbs. calculated on 1,000 cycle basis.

Ultimate static torque 170 in. lbs. calculated on 1,000 cycle basis.

Ultimate static torque 275 in. lbs. calculated on 1,000 cycle basis.

Ultimate static torque 330 in. lbs. calculated on 1,000 cycle basis.

* This is the maximum torque that can be shared by both shafts at once.

* This is the maximum torque that can be shared by both shafts at once.

3 Way

C109806 3 way : 1 to 1 : 5/8" shaft			C100806 (Counter Rotating) 3 way : 1 to 1 : 5/8" shaft			C209806 3 way : 1 to 1 : 3/4" shaft			C803806 3 way : 1 to 1 : 1" shaft		
Angular velocity	Rated Power	Rated Torque	Angular velocity	Rated Power	Rated Torque*	Angular velocity	Rated Power	Rated Torque	Angular velocity	Rated Power	Rated Torque
RPM	H.P.	In. Lbs.	RPM	H.P.	In. Lbs.	RPM	H.P.	In. Lbs.	RPM	H.P.	In. Lbs.
100	0.16	101	100	0.17	107	100	0.30	189	100	1.00	630
200	0.32	101	200	0.30	95	200	0.56	177	200	1.87	591
300	0.47	99	300	0.45	94	300	0.81	171	300	2.75	578
400	0.62	98	400	0.60	94	400	1.06	167	400	3.33	525
500	0.75	95	500	0.75	94	500	1.33	167	500	4.12	520
1000	1.37	87	1000	1.37	87	1000	2.33	147	1000	7.75	488
2000	2.43	77	2000	2.50	79	2000	4.25	134	2000	13.00	410

Ultimate static torque 610 in. lbs. calculated on 1,000 cycle basis.

Ultimate static torque 630 in. lbs. calculated on 1,000 cycle basis.

Ultimate static torque 1400 in. lbs. calculated on 1,000 cycle basis.

Ultimate static torque 5100 in. lbs. calculated on 1,000 cycle basis.

* This is the maximum torque that can be shared by both shafts at once.

3 Way

C135801 3 way : 2 to 1 : 3/8" shaft					C155806 3 way : 2 to 1 : 1/2" shaft					C151806 (Counter Rotating) 3 way : 2 to 1 : 1/2" shaft				
Angular velocity		Rated Power	Rated Torque		Angular velocity		Rated Power	Rated Torque		Angular velocity		Rated Power	Rated Torque	
Shaft 1	Shaft 2	H.P.	Shaft 1	Shaft 2	Shaft 1	Shaft 2	H.P.	Shaft 1	Shaft 2	Shaft 1	Shafts 2 & 3	H.P.	Shaft 1	Shafts 2 and 3*
RPM	RPM	H.P.	In. Lbs.	In. Lbs.	RPM	RPM	H.P.	In. Lbs.	In. Lbs.	RPM	RPM	H.P.	In. Lbs.	In. Lbs.
100	50	0.02	11	22	100	50	0.03	20	39	100	50	0.02	16	32
200	100	0.04	11	22	200	100	0.06	20	39	200	100	0.05	16	32
300	150	0.06	11	22	300	150	0.09	20	39	300	150	0.08	16	32
400	200	0.07	11	22	400	200	0.13	20	39	400	200	0.11	16	32
500	250	0.09	10	21	500	250	0.16	20	39	500	250	0.14	16	32
1000	500	0.16	10	20	1000	500	0.30	19	37	1000	500	0.25	15	30
2000	1000	0.30	9	18	2000	1000	0.54	17	34	2000	1000	0.50	15	30

Ultimate static torque 60 in. lbs. calculated on 1,000 cycle basis.

Ultimate static torque 130 in. lbs. calculated on 1,000 cycle basis.

Ultimate static torque 116 in. lbs. calculated on 1,000 cycle basis.

* This is the maximum torque that can be shared by both shafts (2 and 3) at once.

CROWN RATED HORSEPOWER & TORQUE SPECIFICATIONS



3 Way

C105806				
3 way : 2 to 1 : 5/8" shaft				
Angular velocity		Rated Power	Rated Torque	
Shaft 1	Shaft 2		Shaft 1	Shaft 2
RPM	RPM	H.P.	In. Lbs.	In. Lbs.
100	50	0.06	34	68
200	100	0.11	34	68
300	150	0.16	34	68
400	200	0.22	34	68
500	250	0.27	34	68
1000	500	0.51	32	64
2000	1000	0.92	29	58

Ultimate static torque 210 in. lbs. calculated on 1,000 cycle basis.

C101806 (Counter Rotating)				
3 way : 2 to 1 : 5/8" shaft				
Angular velocity		Rated Power	Rated Torque	
Shaft 1	Shafts 2 & 3		Shaft 1	Shafts 2 and 3*
RPM	RPM	H.P.	In. Lbs.	In. Lbs.
100	50	0.05	31	62
200	100	0.08	30	60
300	150	0.12	28	56
400	200	0.18	28	56
500	250	0.21	26	52
1000	500	0.37	24	48
2000	1000	0.75	23	46

Ultimate static torque 192 in. lbs. calculated on 1,000 cycle basis.

* This is the maximum torque that can be shared by both shafts (2 and 3) at once.

C205806				
3 way : 2 to 1 : 3/4" shaft				
Angular velocity		Rated Power	Rated Torque	
Shaft 1	Shaft 2		Shaft 1	Shaft 2
RPM	RPM	H.P.	In. Lbs.	In. Lbs.
100	50	0.11	70	140
200	100	0.22	70	140
300	150	0.33	70	140
400	200	0.44	70	140
500	250	0.55	70	140
1000	500	0.99	62	124
2000	1000	1.75	55	110

Ultimate static torque 540 in. lbs. calculated on 1,000 cycle basis.

3 Way

C805806				
3 way : 2 to 1 : 1" shaft				
Angular velocity		Rated Power	Rated Torque	
Shaft 1	Shaft 2		Shaft 1	Shaft 2
RPM	RPM	H.P.	In. Lbs.	In. Lbs.
100	50	0.38	236	472
200	100	0.75	236	472
300	150	1.00	210	420
400	200	1.33	210	420
500	250	1.67	210	420
1000	500	3.24	204	408
2000	1000	5.75	181	362

Ultimate static torque 2170 in. lbs. calculated on 1,000 cycle basis.

2 Way

C138801		
2 way : 1 to 1 : 3/8" shaft		
Angular velocity	Rated Power	Rated Torque
RPM	H.P.	In. Lbs.
100	0.04	25
200	0.08	25
300	0.12	25
400	0.16	25
500	0.20	25
1000	0.38	24
2000	0.67	21

Ultimate static torque 160 in. lbs. calculated on 1,000 cycle basis.

C156806		
2 way : 1 to 1 : 1/2" shaft		
Angular velocity	Rated Power	Rated Torque
RPM	H.P.	In. Lbs.
100	0.07	46
200	0.14	46
300	0.22	46
400	0.29	46
500	0.36	45
1000	0.71	45
2000	1.27	40

Ultimate static torque 275 in. lbs. calculated on 1,000 cycle basis.

C108806		
2 way : 1 to 1 : 5/8" shaft		
Angular velocity	Rated Power	Rated Torque
RPM	H.P.	In. Lbs.
100	0.16	101
200	0.32	101
300	0.47	99
400	0.62	98
500	0.75	95
1000	1.37	87
2000	2.43	77

Ultimate static torque 610 in. lbs. calculated on 1,000 cycle basis.

2 Way

C208806		
2 way : 1 to 1 : 3/4" shaft		
Angular velocity	Rated Power	Rated Torque
RPM	H.P.	In. Lbs.
100	0.30	189
200	0.56	177
300	0.81	171
400	1.06	167
500	1.33	167
1000	2.33	147
2000	4.25	134

Ultimate static torque 1400 in. lbs. calculated on 1,000 cycle basis.

C134801				
2 way : 2 to 1 : 3/8" shaft				
Angular velocity		Rated Power	Rated Torque	
Shaft 1	Shaft 2		Shaft 1	Shaft 2
RPM	RPM	H.P.	In. Lbs.	In. Lbs.
100	50	0.02	11	22
200	100	0.04	11	22
300	150	0.06	11	22
400	200	0.07	11	22
500	250	0.09	10	21
1000	500	0.16	10	20
2000	1000	0.30	9	18

Ultimate static torque 60 in. lbs. calculated on 1,000 cycle basis.

C154806				
2 way : 2 to 1 : 1/2" shaft				
Angular velocity		Rated Power	Rated Torque	
Shaft 1	Shaft 2		Shaft 1	Shaft 2
RPM	RPM	H.P.	In. Lbs.	In. Lbs.
100	50	0.03	20	39
200	100	0.06	20	39
300	150	0.09	20	39
400	200	0.13	20	39
500	250	0.16	20	39
1000	500	0.30	19	37
2000	1000	0.54	17	34

Ultimate static torque 130 in. lbs. calculated on 1,000 cycle basis.

CROWN RATED HORSEPOWER & TORQUE SPECIFICATIONS

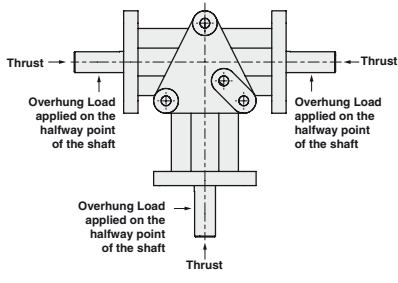
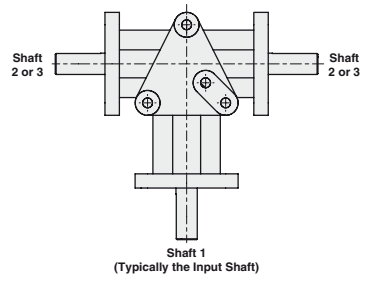


2 Way									
C104806					C204806				
2 way : 2 to 1 : 5/8" shaft					2 way : 2 to 1 : 3/4" shaft				
Angular velocity		Rated Power	Rated Torque		Angular velocity		Rated Power	Rated Torque	
Shaft 1	Shaft 2		Shaft 1	Shaft 2	Shaft 1	Shaft 2		Shaft 1	Shaft 2
RPM	RPM	H.P.	In. Lbs.	In. Lbs.	RPM	RPM	H.P.	In. Lbs.	In. Lbs.
100	50	0.06	34	68	100	50	0.11	70	140
200	100	0.11	34	68	200	100	0.22	70	140
300	150	0.16	34	68	300	150	0.33	70	140
400	200	0.22	34	68	400	200	0.44	70	140
500	250	0.27	34	68	500	250	0.55	70	140
1000	500	0.51	32	64	1000	500	0.99	62	124
2000	1000	0.92	29	58	2000	1000	1.75	55	110

Ultimate static torque 210 in. lbs. calculated on 1,000 cycle basis.

Ultimate static torque 540 in. lbs. calculated on 1,000 cycle basis.

Item Number	Overhung Load Capacity (at mid-shaft)				Thrust Load Capacity		Net Weight each	
	Shaft 1		Shafts 2 and 3		all shafts		Pounds	Kilograms
	Pounds of force	Newtons	Pounds of force	Newtons	Pounds of force	Newtons		
C100806	50.00	222.41	33.00	146.79	80.00	355.86	3.25	1.47
C101806	50.00	222.41	34.00	151.24	80.00	355.86	3.25	1.47
C104806	50.00	222.41	50.00	222.41	100.00	444.82	2.75	1.25
C105806	50.00	222.41	50.00	222.41	100.00	444.82	1.75	0.79
C108806	50.00	222.41	50.00	222.41	100.00	444.82	2.75	1.25
C109806	50.00	222.41	50.00	222.41	100.00	444.82	3.00	1.36
C130801	25.00	111.21	16.00	71.17	40.00	177.93	0.87	0.39
C134801	25.00	111.21	25.00	111.21	50.00	222.41	0.75	0.34
C135801	25.00	111.21	25.00	111.21	50.00	222.41	0.85	0.39
C138801	25.00	111.21	25.00	111.21	50.00	222.41	0.75	0.34
C139801	25.00	111.21	25.00	111.21	50.00	222.41	0.85	0.39
C150806	35.00	155.69	24.00	106.76	56.00	249.10	2.13	0.97
C151806	35.00	155.69	24.00	106.76	56.00	249.10	2.13	0.97
C154806	35.00	155.69	35.00	155.69	70.00	311.38	1.75	0.79
C155806	35.00	155.69	35.00	155.69	70.00	311.38	2.00	0.91
C156806	35.00	155.69	35.00	155.69	70.00	311.38	1.75	0.79
C157806	35.00	155.69	35.00	155.69	70.00	311.38	2.00	0.91
C204806	100.00	444.82	100.00	444.82	200.00	889.64	6.50	2.95
C205806	100.00	444.82	100.00	444.82	200.00	889.64	7.00	3.18
C208806	100.00	444.82	100.00	444.82	200.00	889.64	6.50	2.95
C209806	100.00	444.82	100.00	444.82	200.00	889.64	7.00	3.18
C803806	160.00	711.72	160.00	711.72	320.00	1423.43	18.00	8.16
C805806	160.00	711.72	160.00	711.72	320.00	1423.43	18.00	8.16



New Zero-Max Configurable 3D CAD Downloads.
www.zero-max.com



/////// ZERO-MAX

Haarup Tvaervej 1, DK-8600 Silkeborg, Denmark
Phone: +45 86 81 22 88 Fax: +45 86 81 53 88
www.zero-max.dk Email: ext@zero-max.dk